

# AD330 (G694)

This parts catalog is includes MB No 1

## **PARTS CATALOG**

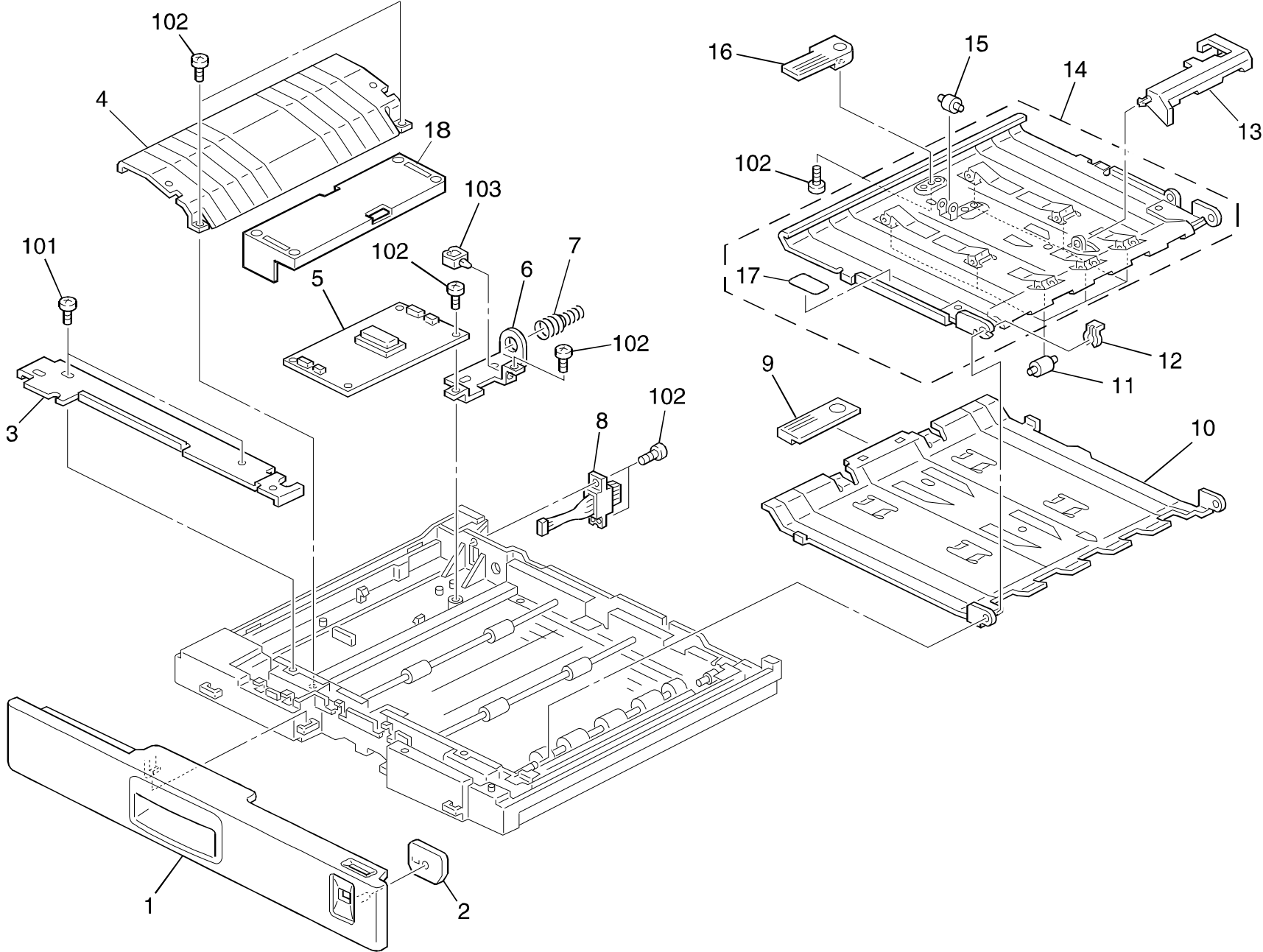
### **INTRODUCTION**

This chapter instructs you the numbers and names of parts on this machine.

### **INDEX to PARTS CATALOG**

1.DUPLEX UNIT 1 (G694).....	2
2.DUPLEX UNIT 2 (G694).....	4
3.INVERTOR UNIT (G694) .....	6
99.PARTS INDEX.....	9

1.DUPLEX UNIT 1 (G694)

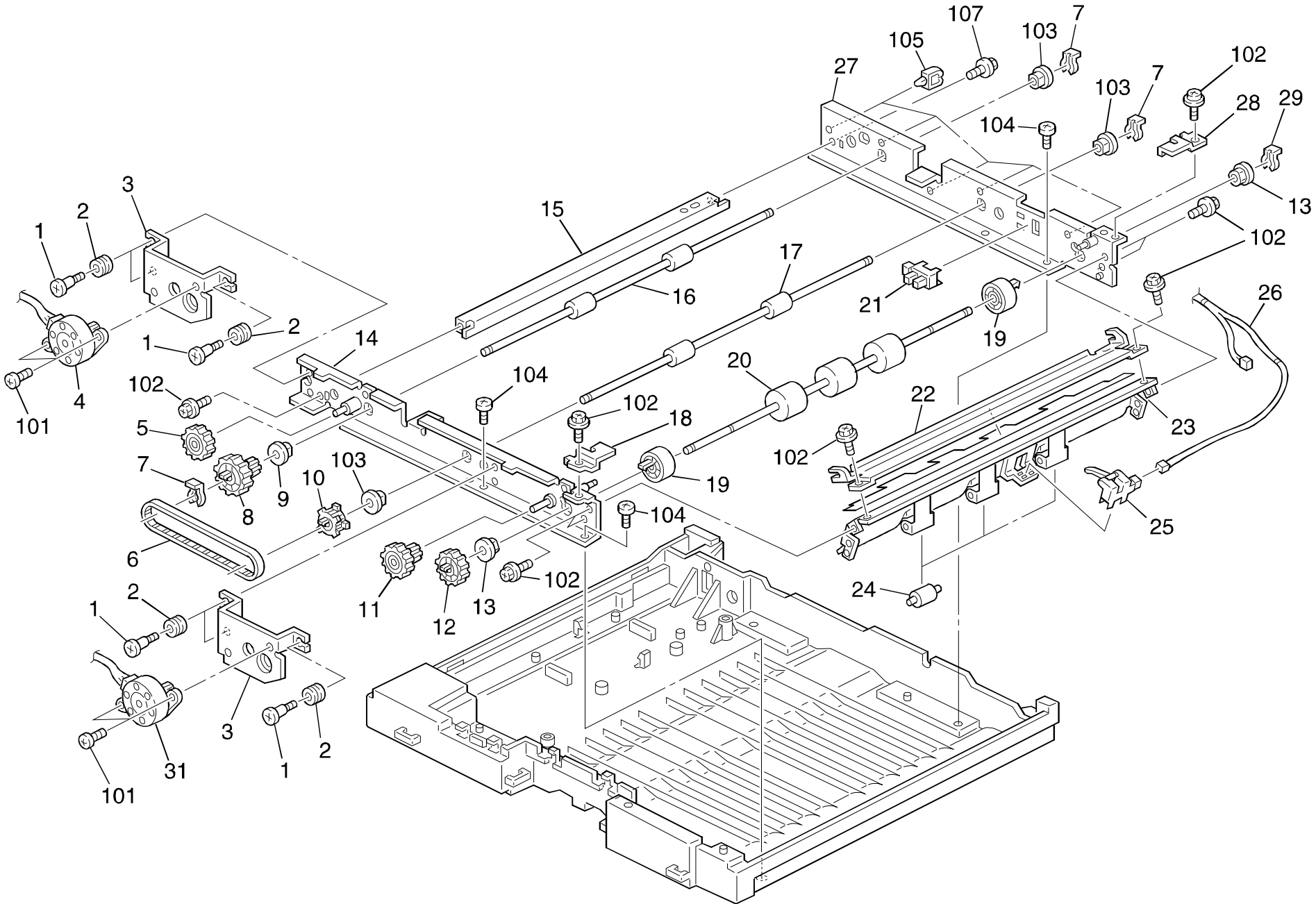


### 1.DUPLEX UNIT 1 (G694)

Index No.	Part No.	Description	Q'ty Per Assembly
1	G020 2647	Paper Tray Cover	1
2	G694 4703	Duplex Indicator	1
3	G694 4781	Front Duplex Cover	1
4	G694 4783	Left Duplex Cover	1
5	G694 5350	Duplex Unit Board	1
	G694 5340	X/O MB1	
6	G694 4791	Grounding Plate	1
7	G694 4792	Grounding Plate Spring	1
8	G694 5200	Duplex Connector Harness	1
9	A134 4739	Lower Guide Plate Knob	1
10	G694 4730	Lower Guide Plate	1
11	AF02 2077	Driven Roller	1
12	5206 2686	Snap Ring	1
13	G694 4735	Inverter Feeler	1
14	G694 4740	Upper Guide Plate	1
15	G694 4747	Guide Plate Holder	1
16	A134 4726	Guide Plate Knob	1
17	A134 4884	Decal - Duplex Misfeed Removal	1
18	G694 4788	Lower Cover - Duplex Board	1

Index No.	Part No.	Description	Q'ty Per Assembly
101	0451 3006B	Tapping Screw - M3x6	
102	0452 3008Z	Bind Tapping Screw - M3x8	
103	1105 0319	Harness Clamp	

# 2.DUPLEX UNIT 2 (G694)

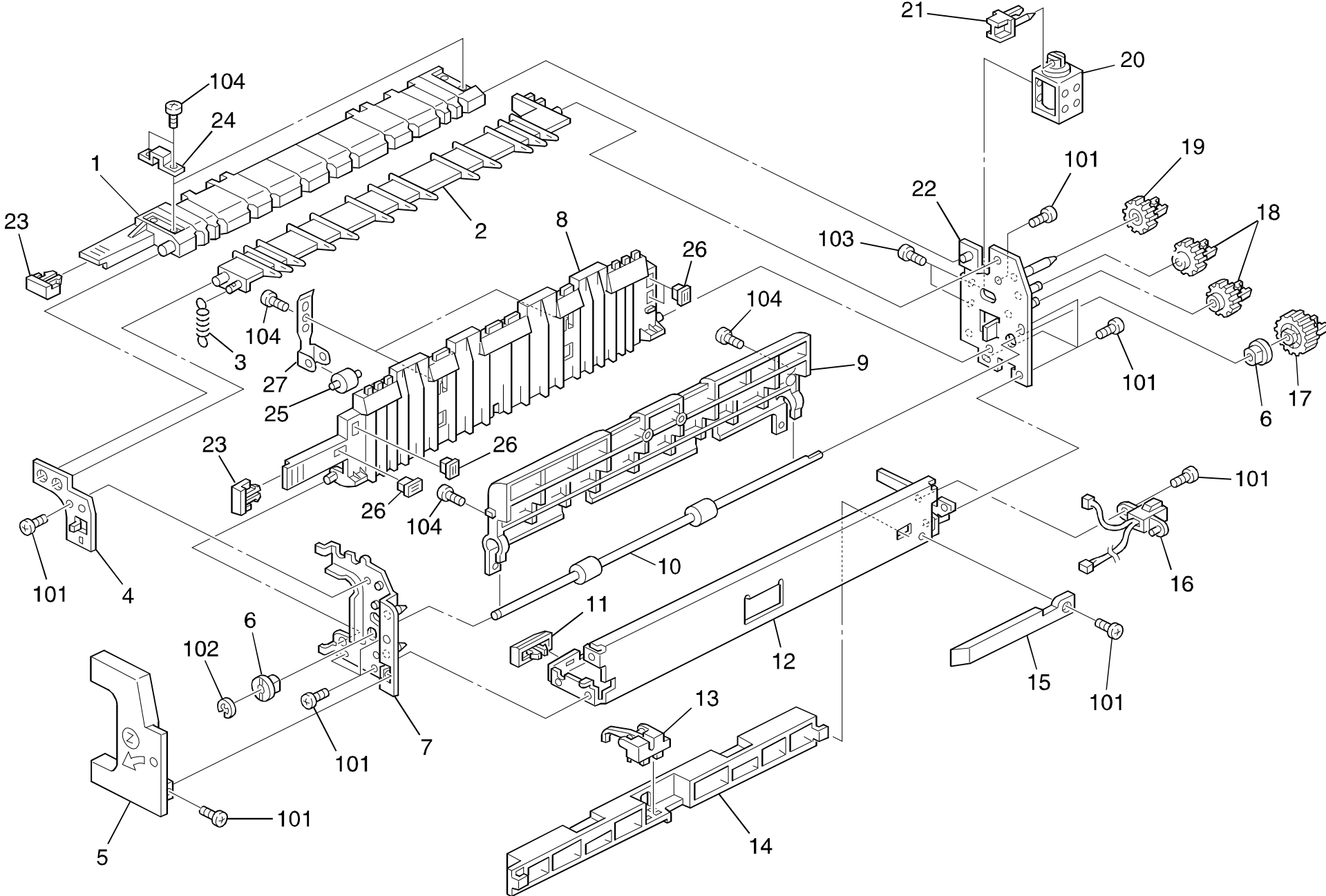


## 2.DUPLEX UNIT 2 (G694)

Index No.	Part No.	Description	Q'ty Per Assembly
1	G694 4762	Stepped Screw - M3	6
2	G694 4761	Cushion	6
3	G694 4760	Motor Bracket	2
4	G694 5202	Transport Motor	1
5	G694 4716	Gear - 46Z	1
6	AA04 3373	Timing Belt - S2M308	1
7	5447 2681	Snap Ring	3
8	G694 4757	Gear - 24Z	1
9	G694 4759	Bushing - 6mm	1
10	AB03 0474	Pulley - 24Z	1
11	G694 4715	Gear - 24Z/46Z	1
12	G694 4753	Gear - 48Z	1
13	5053 0223	Bushing - 8mm	2
14	G694 4710	Front Side Plate - Duplex Unit	1
15	G694 4728	Duplex Unit Stay	1
16	G694 4755	Left Transport Roller	1
17	G694 4756	Middle Transport Roller	1
18	G694 4717	Front Stopper - Guide Plate	1
19	G694 4752	Inverter Roller Supporter	2
20	G694 4751	Inverter Roller - Duplex Unit	1
21	AW02 0075	Photointerrupter	1
22	G694 4725	Inverter Guide Plate	1
23	G694 4706	Lower Exit Guide	1
24	AF02 2077	Driven Roller	3
25	G694 5736	Exit Sensor	1
26	G694 5201	Sensor Harness - Duplex Unit	1
27	G694 4720	Rear Side Plate - Duplex Unit	1
28	G694 4723	Rear Stopper - Guide Plate	1
29	5215 2621	Snap Ring - M6	1
30	G694 5737	Inverter Motor DC 8.4W	1

Index No.	Part No.	Description	Q'ty Per Assembly
101	0353 0060B	Philips Pan Head Screw - M3x6	
102	0451 3006B	Tapping Screw - M3x6	
103	0805 3480	Bushing - 6mm	
104	0452 3008Z	Bind Tapping Screw - M3x8	
105	1105 0319	Harness Clamp	

### 3.INVERTOR UNIT (G694)



### 3.INVERTOR UNIT (G694)

Index No.	Part No.	Description	Q'ty Per Assembly
*	G694 4501	Inverter Unit	1
1	G694 4639	Transport Guide Plate	1
2	G694 4638	Junction Gate	1
3	G694 4647	Junction Gate Spring	1
4	G694 4646	Front Holder	1
5	G694 4648	Inverter Unit Cover	1
6	G020 4479	Bushing - 6mm	2
7	G694 4660	Front Side Plate	1
8	G694 4634	Left Guide Plate	1
9	G694 4636	Right Guide Plate - Upper	1
10	G694 4640	Inverter Roller	1
11	G694 4673	Left Guide	1
12	G694 4670	Frame - Inverter Unit	1
13	G020 4490	Paper Exit Sensor	1
14	G694 4671	Right Guide Plate - Lower	1
15	G694 4672	Right Guide	1
16	G694 5470	Inverter Unit Harness	1
17	G694 4641	Gear - 24Z	1
18	G694 4643	Gear - 18Z	2
19	G694 4642	Gear - 17Z	1
20	G020 4425	DC Solenoid	1
21	G694 4645	Junction Gate Lever	1
22	G694 4650	Rear Side Plate	1
23	G020 4492	Knob - Guide Plate	2
24	G020 4493	Magnet	2
25	AF04 0031	Upper Exit Roller	2
26	G012 1531	Magnet	4
27	G020 4491	Roller Holder	2

Index No.	Part No.	Description	Q'ty Per Assembly
101	0453 3008B	Tapping Screw - M3x8	
102	0720 0040B	Retaining Ring - M4	
103	0313 0040B	Philips Pan Head Screw - M3x4	
104	0452 3008B	Tapping Screw - M3x8	



# **PARTS INDEX**

Part No.	Description	Page and Index No.
AA04 3373	Timing Belt - S2M308	5- 6
AB03 0474	Pulley - 24Z	5- 10
AF02 2077	Driven Roller	3- 11
AF02 2077	Driven Roller	5- 24
AW02 0075	Photointerrupter	5- 21
G020 2647	Paper Tray Cover	3- 1
G694 4703	Duplex Indicator	3- 2
G694 4706	Lower Exit Guide	5- 23
G694 4710	Front Side Plate - Duplex Unit	5- 14
G694 4715	Gear - 24Z/46Z	5- 11
G694 4716	Gear - 46Z	5- 5
G694 4717	Front Stopper - Guide Plate	5- 18
G694 4720	Rear Side Plate - Duplex Unit	5- 27
G694 4723	Rear Stopper - Guide Plate	5- 28
G694 4725	Inverter Guide Plate	5- 22
G694 4728	Duplex Unit Stay	5- 15
G694 4730	Lower Guide Plate	3- 10
G694 4735	Inverter Feeler	3- 13
G694 4740	Upper Guide Plate	3- 14
G694 4747	Guide Plate Holder	3- 15
G694 4751	Inverter Roller - Duplex Unit	5- 20
G694 4752	Inverter Roller Supporter	5- 19
G694 4753	Gear - 48Z	5- 12
G694 4755	Left Transport Roller	5- 16
G694 4756	Middle Transport Roller	5- 17
G694 4757	Gear - 24Z	5- 8
G694 4759	Bushing - 6mm	5- 9
G694 4760	Motor Bracket	5- 3
G694 4761	Cushion	5- 2
G694 4762	Stepped Screw - M3	5- 1
G694 4781	Front Duplex Cover	3- 3
G694 4783	Left Duplex Cover	3- 4
G694 4788	Lower Cover - Duplex Board	3- 18
G694 4791	Grounding Plate	3- 6
G694 4792	Grounding Plate Spring	3- 7

Part No.	Description	Page and Index No
G694 5200	Duplex Connector Harness	3- 8
G694 5201	Sensor Harness - Duplex Unit	5- 26
G694 5202	Transport Motor	5- 4
G694 5340	Duplex Unit Board	3- 5
G694 5736	Exit Sensor	5- 25
G694 5737	Inverter Motor DC 8.4W	5- 30

Part No.	Description	Page and Index No.
A134 4726	Guide Plate Knob	3- 16
A134 4739	Lower Guide Plate Knob	3- 9
A134 4884	Decal - Duplex Misfeed Removal	3- 17
5053 0223	Bushing - 8mm	5- 13
5206 2686	Snap Ring	3- 12
5215 2621	Snap Ring - M6	5- 29
5447 2681	Snap Ring	5- 7

Part No.	Description	Page and Index No
0353 0060B	Philips Pan Head Screw - M3x6	5-101
0451 3006B	Tapping Screw - M3x6	3-101
0451 3006B	Tapping Screw - M3x6	5-102
0452 3008Z	Bind Tapping Screw - M3x8	3-102
0452 3008Z	Bind Tapping Screw - M3x8	5-104
0805 3480	Bushing - 6mm	5-103
1105 0319	Harness Clamp	3-103
1105 0319	Harness Clamp	5-105